

# 812 SERIES

## Pneumatic Toggle Clamps | Product Overview

### Features:

- Smallest of the pneumatic hold down series
- Pneumatic version of Model 201-U

### Applications:

- Assembly
- Welding

### Also Available:

See page MC-ACC-1 for spindle accessories

See page MC-PSC-38 for sensing options

High temperature version available upon request as Model 812-**U-HT**

### 812-U



## Technical Information | Holding Capacities

| Model        | Maximum Holding Capacity |                   | Maximum Exerting Force @ 5bar [72PSI] |                   | Weight             | Bore Size      | Air Consumption†<br>dm <sup>3</sup> [ft <sup>3</sup> ] | Port Size | Accessories (Supplied) |                 |
|--------------|--------------------------|-------------------|---------------------------------------|-------------------|--------------------|----------------|--|-----------|------------------------|-----------------|
|              | Inner                    | Outer             | Inner                                 | Outer             |                    |                |  |           | Spindle Accessory      | Flanged Washers |
| <b>812-U</b> | [100 lbf]<br>440 N       | [55 lbf]<br>245 N | [136 lbf]<br>613 N                    | [92 lbf]<br>413 N | [0.46lb]<br>0,21kg | [0.75]<br>19,1 | [0.003]<br>0,09  | M5        | 305208-M               | 102111          |

†Per double stroke at 5bar [72PSI]

**Max. Operating Temp:** -23°C to 74°C [-10°F to 165°F]

**Optional Sensors:** 810156, 810158

**Replacement Clamp Assembly:** 812-U-LC

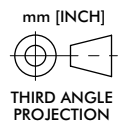
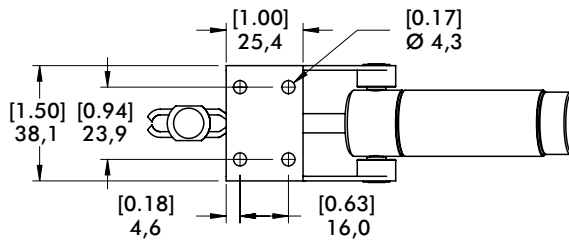
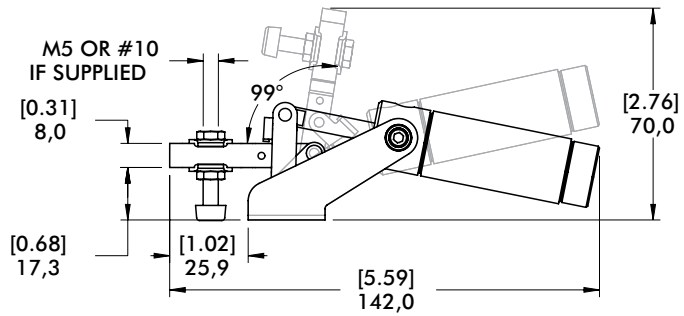
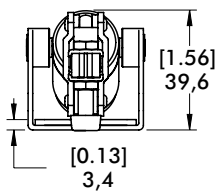
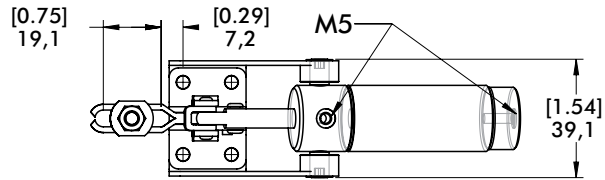
**Replacement Cylinder Assembly:** 812CYL

In no case should the inlet pressure be high enough to create an exerting force that exceeds the clamp's holding capacity. See Technical Appendix Section for details.

# 812 SERIES

## Pneumatic Toggle Clamps | Dimensions

812-U



**Note:**

Model 812-U requires either 810156 or 810158 sensors. Two (2) sensors are required if detecting both open and closed positions. These sensors use 810156-1 (included with sensors) band clamp to mount the sensor to the cylinder wall.

